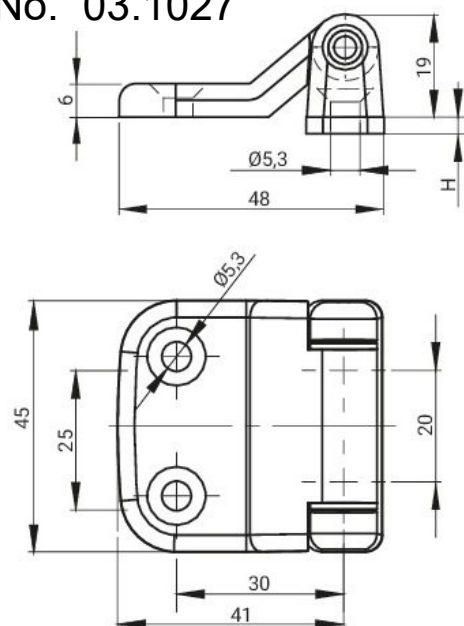


Cat.No. 03.1027

RT86

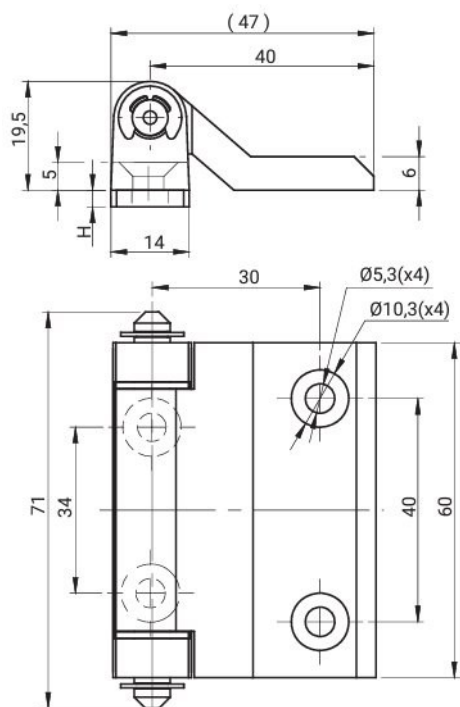


Cat.No.	Components	Material	Surface finish	
			Chrome	RAL 9005
03.1027	Holder, Base	Alloy ZnAl	03.1027.23	03.1027.24
	Pin	Stainless		
	Sleeve	POM		

Order example chrome finish :
Hinge RT 86 03.1027.23

Cat.No. 03.902.30

RT96



Material: Stainless steel

Order example :
Hinge RT 96 03.902.30